



DATA SHEET

2S500BE

Removes Contaminants

Extends Oil Life

Reduces Component Wear

Removes all Water

Saves Machine Downtime

Reduces Disposal Costs

Simple to Install & Use

Low Maintenance Costs

Built in Sampling Points



Cardev International Ltd

Ripon Way, Harrogate, HG1 2AU
Tel: 01423 522911 Fax: 01423 530043
Email: sales@cardev.co.uk or visit our
website at: www.cardev.co.uk



Cardev International Ltd

Ripon Way, Harrogate, HG1 2AU Tel: 01423 522911 Fax: 01423 530043
 e-mail: sales@cardev.co.uk web: www.cardev.co.uk



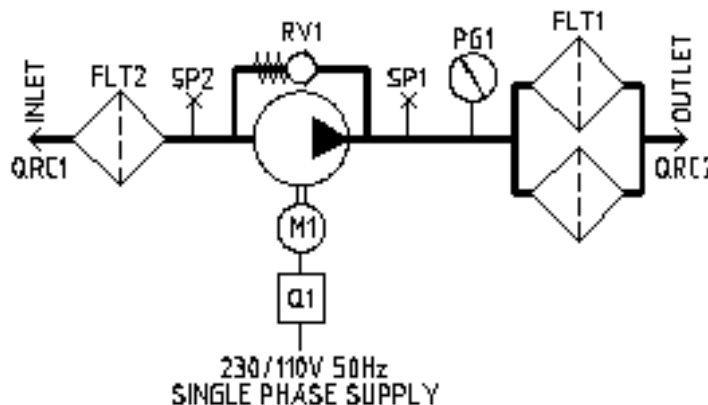
Industrial Filtration



Biodegradable Lubricants

2S 500BE SPECIFICATION			
Electric Motor	Volts	110	230
	Kws	0.18	0.18
	Amps	5.1	2.2
	RPM	1425	1425
	Protection	IP55	
Pump Performance	500 litres/hour at 2.8 bar (ISO 46 hydraulic oil at 40°C)		
Pump Suction Lift	Self priming to 5.5 metres		
Operating Temp.	10-90°C		
Rig Dimensions	Length	700 mm	
	Width	595 mm	
	Height	1000 mm	
	(with handle removed)	780 mm	
Rig Weight	60 kg		
Filtration System	2 X SDUFB-C		
Cartridge Type	2 X SDFC—fitted as standard. Supplied in boxes of 6		
Accessories	10 metres of reinforced 3/4" hose with quick release couplings Plug to suit voltage		
Options	110v motor / 3 Phase and Air / 45 cm Bag type pre-filter SDFC-P Cartridges for water based fluids		

FLT1	MAIN FILTERS (SDU/ SDFC)
FLT2	PRE-FILTER
M1	PUMP MOTOR
RV1	PRESSURE RELIEF VALVE
Q1	CONTROL UNIT
PG1	PRESSURE GAUGE
QRC1	INLET QUICK RELEASE COUPLING
QRC2	OUTLET QUICK RELEASE COUPLING
SP1	HIGH PRESSURE SAMPLE POINT
SP2	LOW PRESSURE SAMPLE POINT



Certificate No: 8445

Registered in England No: 1753106
 VAT No: 386 0916 27

11.01.05.SS 2S500BEINFO.PUB