

CARDEV

Oil Filtration and Coolant Handling Specialists



4S350C12

Removes Contaminants

Extends Oil Life

Reduces Component Wear

Removes all Water

Saves Machine Downtime

Reduces Disposal Costs

Simple to Install & Use

Low Maintenance Costs

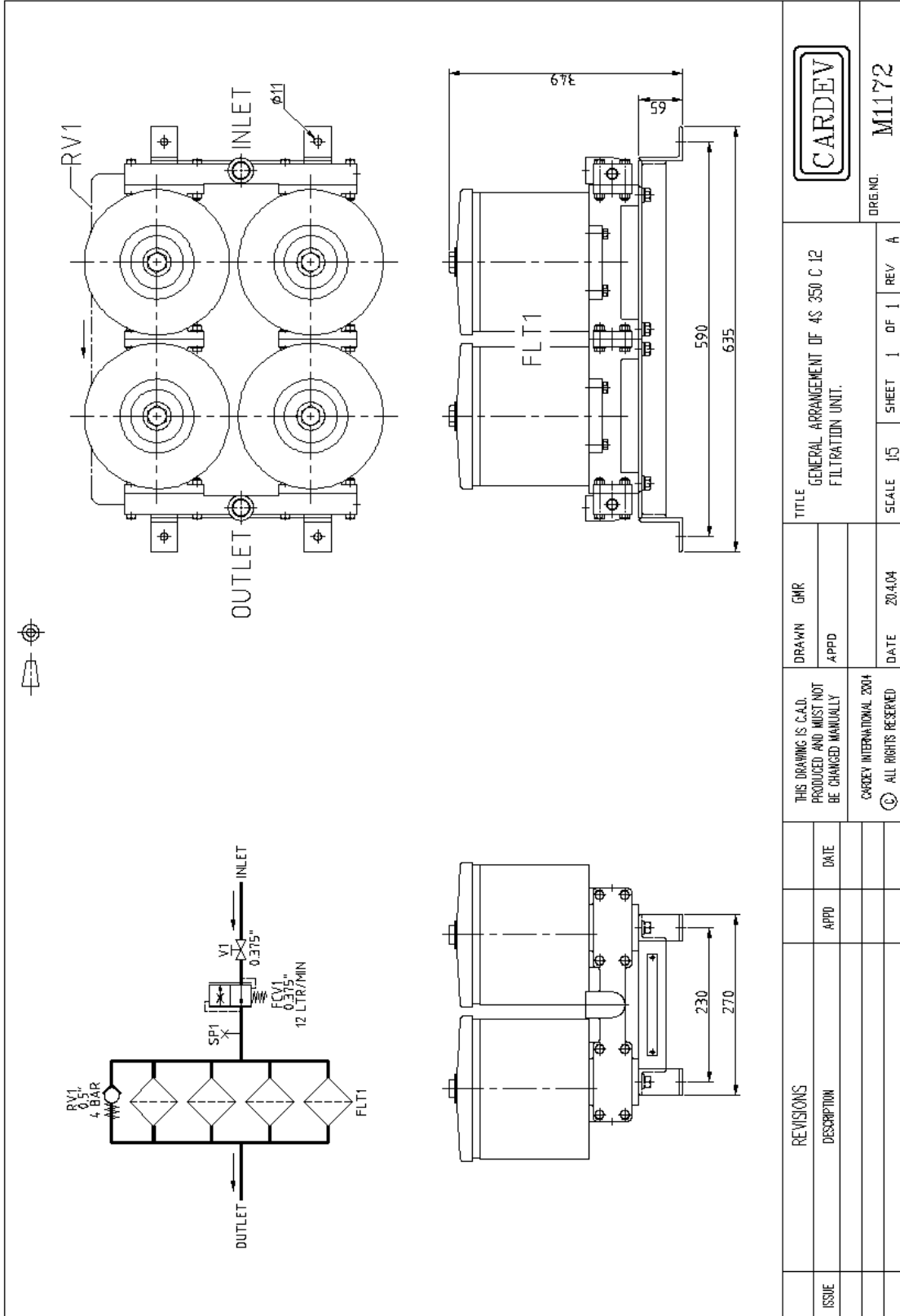
Built in Sampling Points



Cardev International Ltd

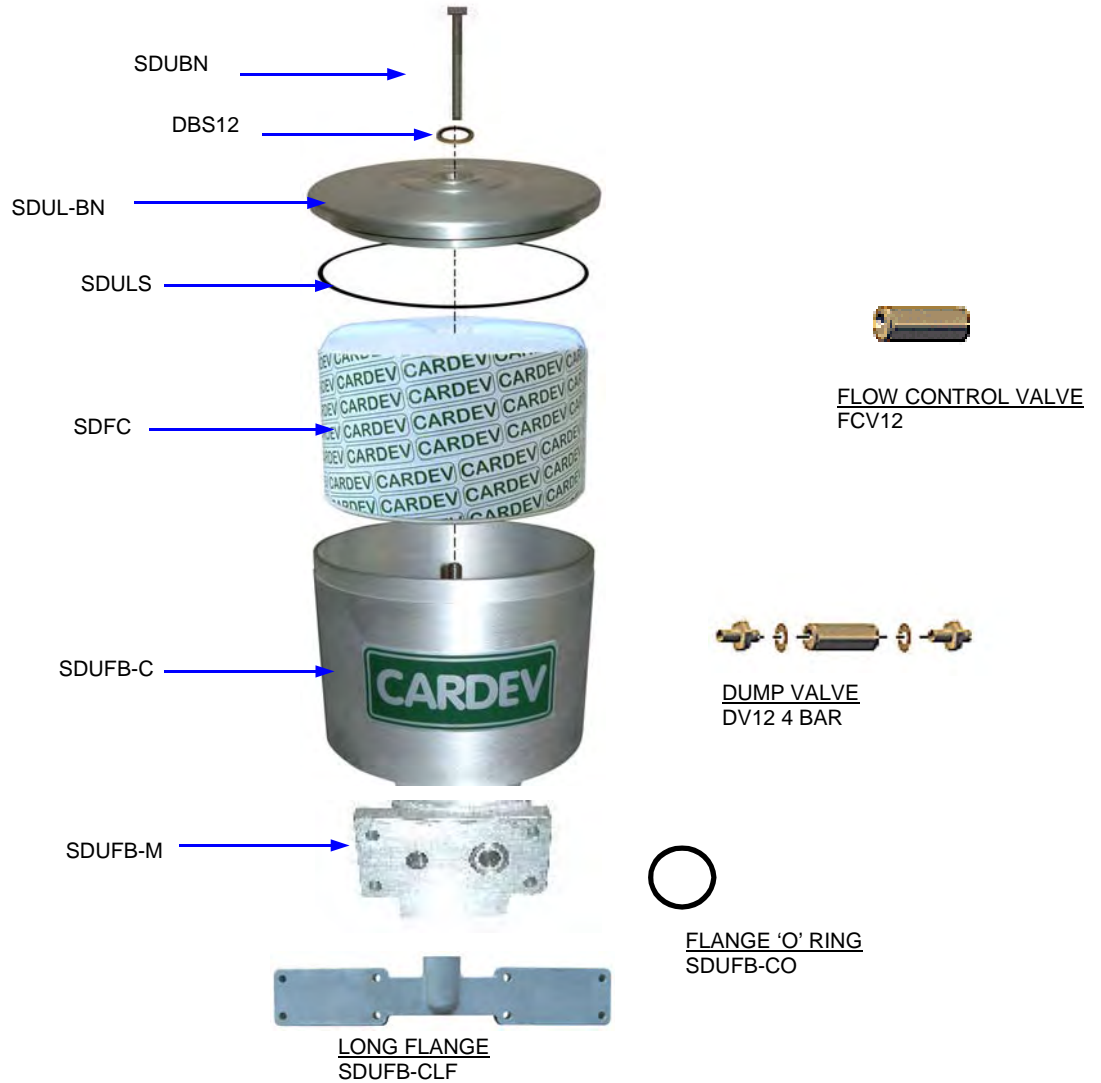
Ripon Way, Harrogate, HG1 2AU
Tel: 01423 522911 Fax: 01423 530043
Email: sales@cardev.co.uk or visit our
website at: www.cardev.co.uk





ISSUE	REVISIONS	DESCRIPTION	APPD	DATE	DRAWN	GMR	TITLE	SCALE	SHEET	OF	REV	DRG. NO.
							GENERAL ARRANGEMENT OF 4S 350 C 12 FILTRATION UNIT.	1:5	15	1	1	M1172
							THIS DRAWING IS C.A.D. PRODUCED AND MUST NOT BE CHANGED MANUALLY.					
							CARDEV INTERNATIONAL 2004					
							© ALL RIGHTS RESERVED					

SDUH8



Type	Recommended Installation	Ltr/hr	Filter element type	Dimensions			Connections		Weight (kg)
				Height (mm)	Length (mm)	Width (mm)	INLET	OUTLET	
4S350C12	By-pass with max. 350 bar inlet and 0.5 bar back pressure up to 400 litres	720	SDFC or SDFC-P	349	635	447	0.375"	0.75"	52